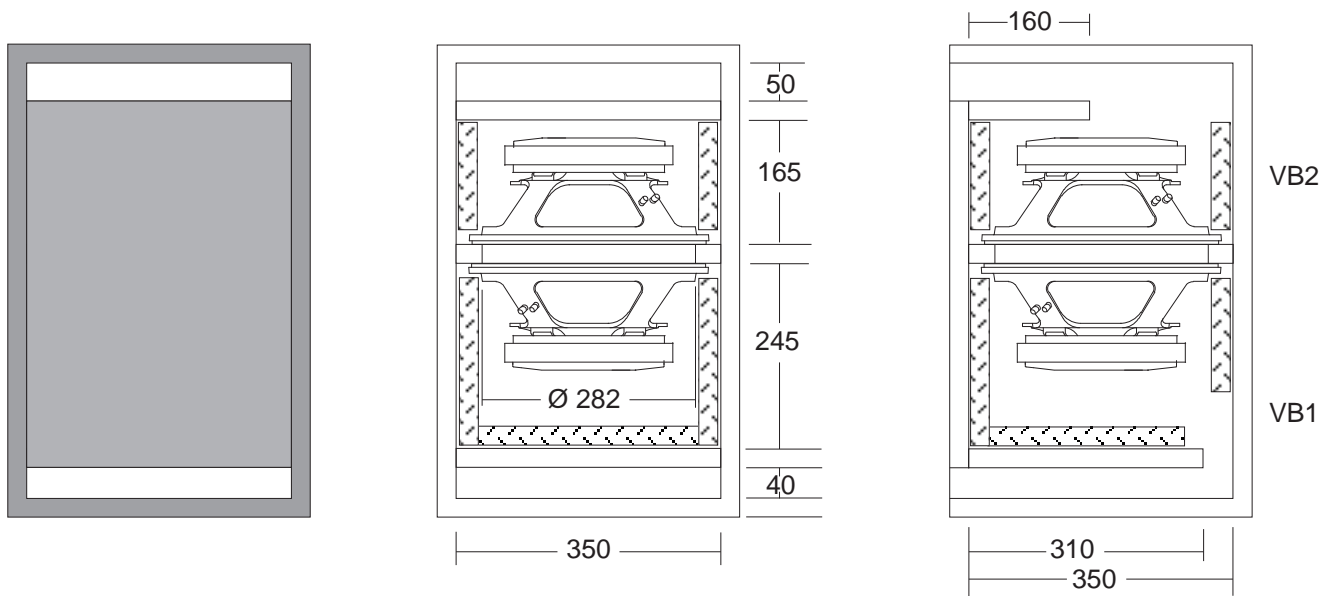


# BR013 PUSH PULL BIREFLEX BOX



COMPONENTS		
L F (n°2) parallel	12.75 W1	12.00 SW
Max Power	1600 W	2000 W
Nominal Power	800 W	1000 W
Impedance	4Ω	

## SPECIFICATIONS

Sensitivity 1W/1m	:	100	dB
Net volume Vb1	:	25	dmc
Tuning Frequency Vb1 Fb	:	60	Hz
Net volume Vb2	:	15	dmc
Tuning Frequency Vb2 Fb	:	105	Hz
Frequency range	:	20 ÷ 150	Hz

FREQUENCY RESPONSE 12.00 SW (1W/1m)

